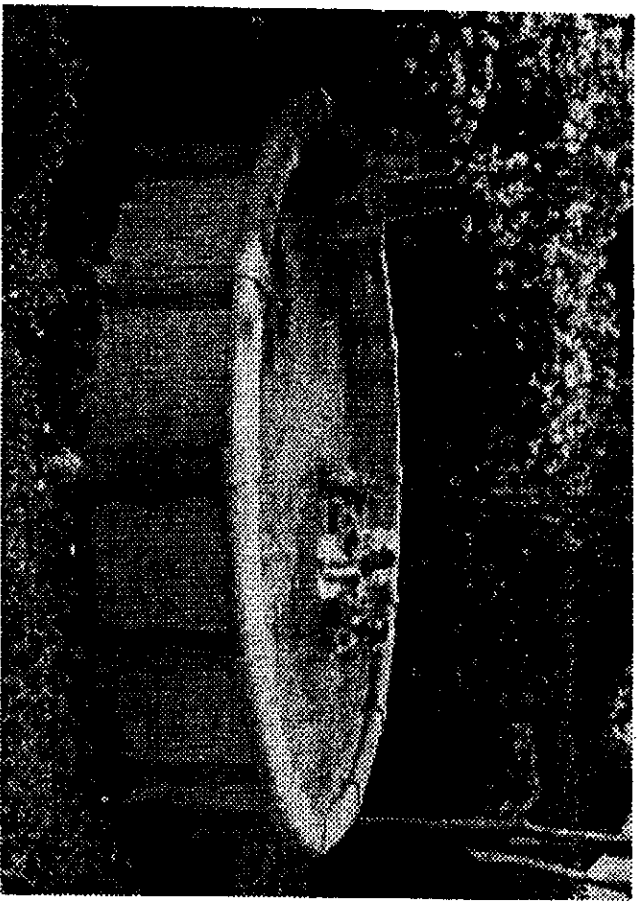




Tuscany

12 Inch Top Rail Round Pools

Parts List

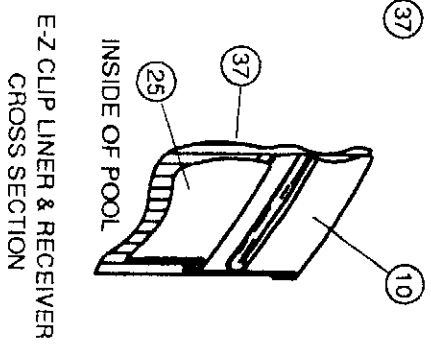
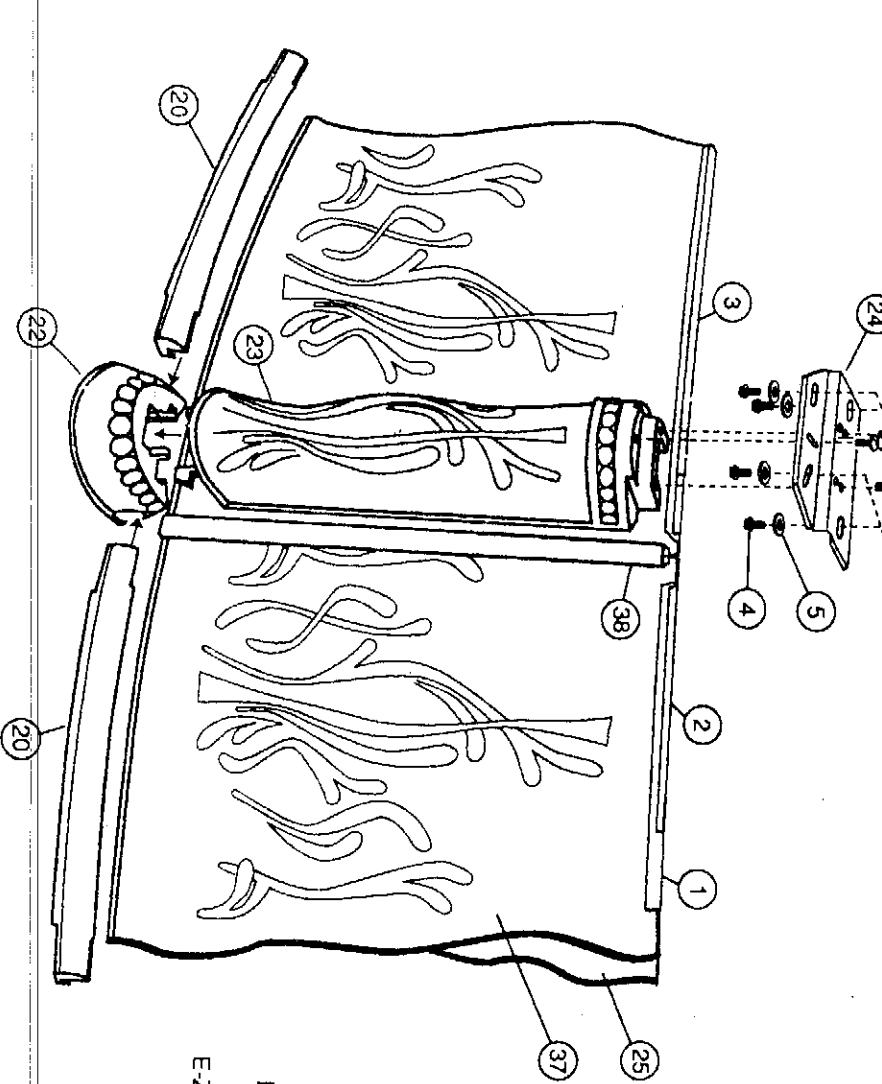
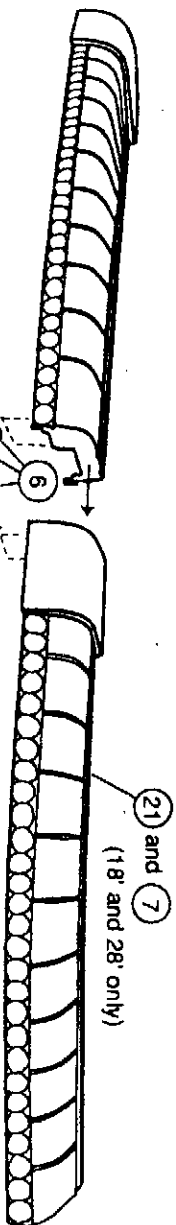
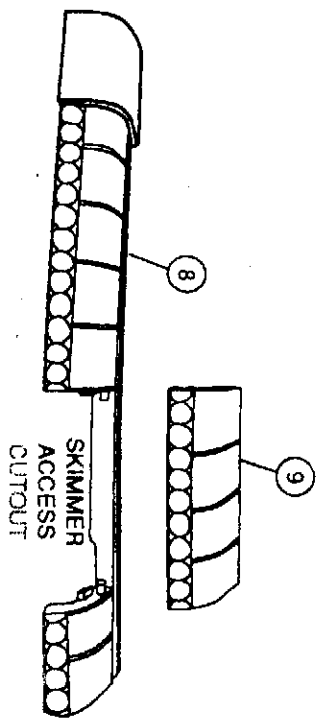
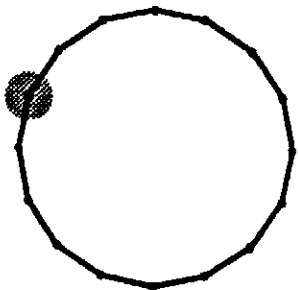


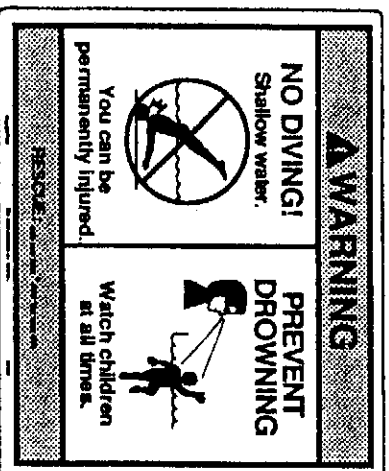
Tuscany Round Pools Parts List

ITEM	DESCRIPTION	18'		24'		28'	
		PART#	QTY.	PART#	QTY.	PART#	QTY.
*1.	ASSEMBLY PACK	0-9918-120	1	0-9924-120	1	0-9928-120	1
2.	Plastic Coping - 24"	545-1001	30	545-1001	40	545-1001	46
3.	Stabilizer Rail - Small	583-1012	9	583-1004	11	583-1004	13
**4.	1/4-20 x 1/2" Hex Hd. Mach. Screw	583-1011	9	583-1005	11	583-1005	13
**5.	1/4" Flat Washer	510-1018	56	510-1018	72	510-1018	84
**6.	1/4-20 x 1/2" Truss Hd. Mach. Screw	327-1068	56	327-1068	72	327-1068	84
7.	Top Rail	330-1072	42	330-1072	54	330-1072	63
8.	Top Rail - Skimmer	349-1000	1	349-1019	1	349-1017	1
9.	Top Rail Skimmer Cover	349-1003	1	349-1019	1	349-1019	1
***10.	E-Z Clip Liner Receiver	349-1005	1	349-1005	1	349-1005	1
11.	Pool Parts List	341-1387	15	341-1387	19	341-1387	23
12.	Pool Installation Instructions	573-3165	1	573-3165	1	573-3165	1
13.	"Read Me First" Booklet	573-3166	1	573-3166	1	573-3166	1
14.	"Enjoy Your Pool" Booklet	573-2777	1	573-2777	1	573-2777	1
15.	"Safety First" Booklet	573-2743	1	573-2743	1	573-2743	1
16.	"Children Arent'..." Booklet	573-2778	1	573-2778	1	573-2778	1
17.	"Pool and Spa" Booklet	573-2398	1	573-2398	1	573-2398	1
18.	Warranty Card	573-2393	1	573-2393	1	573-2393	1
19.	Product Registration Card	565-1169	1	565-1169	1	565-1169	1
20.	BOTTOM RAIL PACK (14)	0-9514-120	1	0-9581-120	1	0-9512-120	1
	BOTTOM RAIL PACK (18)	_____	_____	_____	_____	_____	_____
	BOTTOM RAIL PACK (21)	_____	_____	_____	_____	_____	_____
	Bottom Rail	349-1013	14	349-1021	18	349-1021	21
	TOP RAIL PACK (4)	_____	_____	0-9804-120	3	0-9804-120	1
	TOP RAIL PACK (5)	_____	_____	0-9805-120	1	0-9805-120	3
21.	TOP RAIL PACK (6)	0-9860-120	2	349-1017	17	349-1017	19
	Top Rail	349-1000	12	_____	_____	_____	_____
	VERTICAL BASE PACK (4)	_____	_____	0-9604-120	1	0-9607-120	1
	VERTICAL BASE PACK (7)	_____	_____	0-9614-120	1	0-9614-120	1
22.	VERTICAL BASE PACK (14)	0-9614-120	14	349-1011	18	349-1011	21
	Vertical Base	349-1011	14	_____	_____	_____	_____
	VERTICAL PACK (4) - 48" Pools	0-9704-120	2	_____	_____	0-9704-120	1
	VERTICAL PACK (5) - 48" Pools	_____	_____	0-9706-120	3	0-9706-120	1
	VERTICAL PACK (6) - 48" Pools	0-9706-120	1	_____	_____	0-9705-120	2
	VERTICAL PACK (4) - 52" Pools	0-9704-122	2	_____	_____	0-9704-122	1
	VERTICAL PACK (5) - 52" Pools	_____	_____	0-9705-122	1	0-9705-122	1
	VERTICAL PACK (6) - 52" Pools	0-9706-122	1	0-9706-122	3	0-9706-122	2
23.	Vertical - 48"	49-1009	14	349-1009	18	349-1009	21
	Vertical - 52"	349-1036	14	349-1036	18	349-1036	21
24.	Vertical End Cap	580-2111	14	580-2111	18	580-2111	21
	POOL LINER CARTON	_____	_____	_____	_____	_____	_____
****25.	Pool Liner	0-18	1	0-24	1	0-28	1
26.	E-Z Clip Liner Installation Instructions	573-3039	1	573-3039	1	573-3039	1
27.	Chlorine/Winterizing Instructions	573-2421	1	573-2421	1	573-2421	1
28.	"Warning" Decal	560-1041	3	560-1041	3	560-1041	3
29.	Warranty Card	_____	_____	_____	_____	_____	_____
****30.	Repair Patch	564-1000	1	564-1000	1	564-1000	1
****31.	"Deeper Area" Decal	560-1042	2	560-1042	1	560-1042	2
32.	"Shallow" Decal 3-1/2 ft. - 48" Pools	560-1043	3	560-1043	3	560-1043	3
33.	"Shallow" Decal 3-3/4 ft. - 52" Pools	560-1056	3	560-1056	3	560-1056	3
34.	"Shallow" Decal Installation Instruction	369-1216	1	369-1216	1	369-1216	1
35.	"Read Me First" Booklet	573-2777	1	573-2777	1	573-2777	1
36.	Liner Installation Supplement	369-1145	1	369-1145	1	369-1145	1
	SIDEWALL CARTON	_____	_____	_____	_____	_____	_____
37.	Sidewall - 48"	0-0612-018	1	0-0612-024	1	0-0612-028	1
	Sidewall - 52"	0-0512-018	1	0-0512-024	1	0-0512-028	1
38.	Joint Piece - 48"	580-1002	1	580-1002	1	580-1002	1
	Joint Piece - 52"	580-1914	1	580-1914	1	580-1914	1
39.	Large Cover Plate (not shown)	_____	_____	_____	_____	580-2068	1
40.	Small Cover Plate (not shown)	_____	_____	_____	_____	580-2069	1
41.	"Warning" Sign	560-1046	1	560-1046	1	560-1046	1
42.	"Read Me First" Booklet	573-2777	1	573-2777	1	573-2777	1
43.	Adhesive Squares	310-1034	6	310-1034	6	310-1034	1
44.	Safety Video	573-2500	1	573-2500	1	573-2500	6

* For use with stretch-in liners only.
 **Screws, nuts and washers are available at your local hardware store.
 ***For use with E-Z clip liners only.
 ****For future reference, write your Liner Part No. here
 *****For additional patch kits, order part number 0-5604-000.
 ***** Used only for pools with deep swimming areas only.

EXPLODED VIEW





important! Above-ground pools are designed for swimming and wading only. **Do not Dive or Jump!** Misuse of your pool may result in crippling injury and/or other dangers to life and health. Do not use slides, diving boards, or any other platform or object which can be used for improper pool entry. Use only an above-ground swimming pool ladder or entry system to enter or exit your pool. **Never attempt to swim or reach behind ladders or any other pool entry system.** It is the pool owner's responsibility to secure the pool against unauthorized, unsupervised or unintentional entry. It is also the pool owner's responsibility to warn all pool users of the hazards of diving into shallow water: paralyzing injury may result. Always obey all safety rules. Remember, pool safety is everybody's responsibility.

Safety decals and caution information provided with your pool have been endorsed by the U.S. Consumer Product Safety Commission. It is mandatory that the pool owner and installer follow the installation and use directions for all provided safety signs and decals. Juveniles must be supervised at all times by a responsible adult as directed by the USCPSC.

Change of Design: Doughboy Recreational expressly reserves the right to change or modify the design and construction of any product in due course of their manufacturing procedures, without incurring any obligation to furnish or install such changes or modifications on products previously or subsequently sold.



DOUGHBOY RECREATIONAL • 10959 Jersey Blvd. • Rancho Cucamonga, CA 91730
Visit our website at www.doughboy-pools.com