



# Desert Spring

48 and 52 Inch Tall Round Pools

---

---

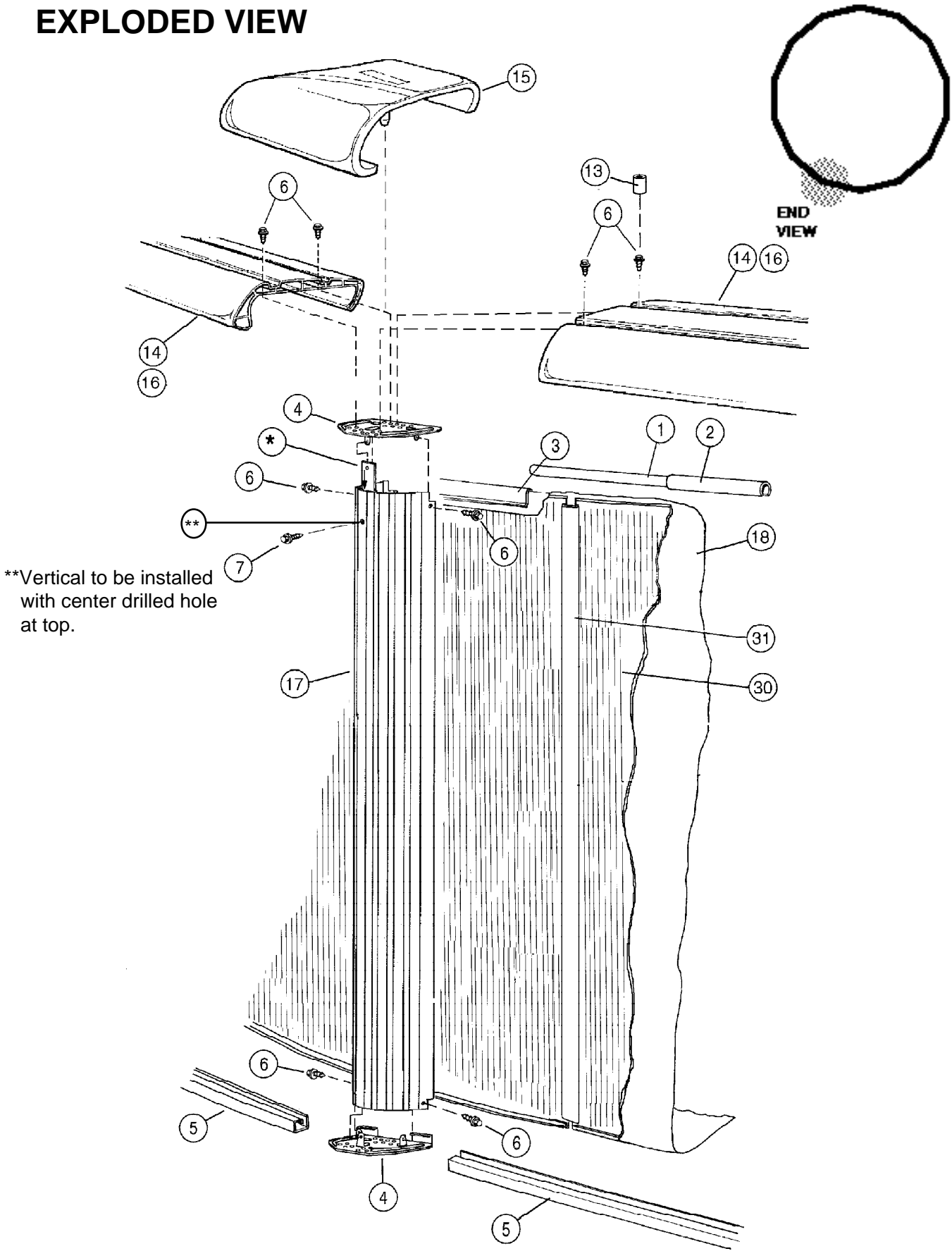
## Parts List

# Desert Spring Round Pools - Parts List

ITEM #	DESCRIPTION	12'		16'		18'		21'		24'		28'		32'	
		PART #	QTY.	PART #	QTY.	PART #	QTY.	PART #	QTY.	PART #	QTY.	PART #	QTY.	PART #	QTY.
	<b>ASSEMBLY PACK</b>	0-9912-805	1	0-9916-805	1	0-9918-805	1	0-9921-805	1	0-9924-805	1	0-9928-805	1	0-9932-805	1
1.	Stabilizer Rail, small dia.	583-1012	6	583-1012	8	583-1012	9	583-1004	10	583-1004	11	583-1004	13	583-1065	15
2.	Stabilizer Rail, large dia.	583-1011	6	583-1011	8	583-1011	9	583-1005	10	583-1005	11	583-1005	13	583-1066	15
*3.	Plastic Coping, 24"	545-1001	22	545-1001	28	545-1001	30	545-1001	35	545-1001	40	545-1001	46	545-1001	52
4.	Vertical End Cap	580-2160	20	580-2160	24	580-2160	28	580-2160	32	580-2160	36	580-2160	42	580-2160	48
5.	Bottom Rail	589-1046	10	589-1047	12	589-1048	14	589-1049	16	589-1050	18	589-1051	21	589-1219	24
**6.	Sheet Metal Screw #10 x 1/2" Lg	330-1127	80	330-1127	96	330-1127	112	330-1127	128	330-1127	144	330-1127	168	330-1127	192
**7.	Sheet Metal Screw #10 x 1/2" Lg	330-1127	10	330-1127	12	330-1127	14	330-1127	16	330-1127	18	330-1127	21	330-1127	24
8.	Pool Parts List	573-3189	1	573-3189	1	573-3189	1	573-3189	1	573-3189	1	573-3189	1	573-3189	1
9.	Pool Installation Instructions	573-3190	1	573-3190	1	573-3190	1	573-3190	1	573-3190	1	573-3190	1	573-3190	1
10.	"Read Me First" Booklet	573-3169	1	573-3169	1	573-3169	1	573-3169	1	573-3169	1	573-3169	1	573-3169	1
11.	Warranty Card - Metal	—	1	—	1	—	1	—	1	—	1	—	1	—	1
12.	—	—	—	—	—	—	—	—	—	—	—	—	—	—	—
13.	5/16" Magnetic Socket	317-1016	1	317-1016	1	317-1016	1	317-1016	1	317-1016	1	317-1016	1	317-1016	1
14.	Top Rail	—	—	—	—	—	—	—	—	—	—	587-1476	1	—	—
	<b>TOP CONNECTOR PACK</b>	0-9999-210	1	0-9999-212	1	0-9999-214	1	0-9999-216	1	0-9999-218	1	0-9999-221	1	0-9999-212	2
15.	Top Connector	340-2355	10	340-2355	12	340-2355	14	340-2355	16	340-2355	18	340-2355	21	340-2355	24
	<b>TOP RAIL PACK</b>	0-9801-801	1	0-9812-801	1	0-9814-801	1	0-9816-801	1	0-9818-801	1	0-9810-801	2	0-9812-801	2
16.	Top Rail	587-1475	10	587-1476	12	587-1476	14	587-1476	16	587-1476	18	587-1476	20	587-1476	24
	<b>VERTICAL PACK - 48"</b>	—	—	—	—	0-9706-801	1	—	—	0-9708-801	1	0-9710-801	1	—	—
	<b>VERTICAL PACK - 48"</b>	0-9710-801	1	0-9712-801	1	0-9708-801	1	0-9708-801	2	0-9710-801	1	0-9711-801	1	—	—
17.	Vertical - 48"	341-1404	10	341-1404	12	341-1404	14	341-1404	16	341-1404	18	341-1404	21	—	—
	<b>VERTICAL PACK - 52"</b>	—	—	—	—	0-9706-802	1	—	—	0-9708-802	1	0-9710-802	1	—	—
	<b>VERTICAL PACK - 52"</b>	0-9710-802	1	0-9712-802	1	0-9708-802	1	0-9708-802	2	0-9710-802	1	0-9711-802	1	0-9712-802	2
17.	Vertical - 52"	341-1405	10	341-1405	12	341-1405	14	341-1405	16	341-1405	18	341-1405	21	341-1405	24
	<b>POOL LINER CARTON</b>														
***18.	Pool Liner	0-12_____	1	0-16_____	1	0-18_____	1	0-21_____	1	0-24_____	1	0-28_____	1	0-32_____	1
19.	Chlorine/Winterizing Instructions	573-2421	1	573-2421	1	573-2421	1	573-2421	1	573-2421	1	573-2421	1	573-2421	1
20.	-----	—	—	—	—	—	—	—	—	—	—	—	—	—	—
21.	"Warning" Decal	560-1041	3	560-1041	3	560-1041	3	560-1041	3	560-1041	3	560-1041	3	560-1041	3
22.	Warranty Card - Liner	—	1	—	1	—	1	—	1	—	1	—	1	—	1
***23.	Repair Patch	564-1000	1	564-1000	1	564-1000	1	564-1000	1	564-1000	1	564-1000	1	564-1000	1
****24.	"Deeper Area" Decal	560-1042	2	560-1042	2	560-1042	2	560-1042	2	560-1042	2	560-1042	2	560-1042	2
25.	"Shallow" Decal - 3-1/2 Ft.	560-1043	3	560-1043	3	560-1043	3	560-1043	3	560-1043	3	560-1043	3	560-1043	3
26.	"Shallow" Decal - 3-3/4 Ft.	560-1056	3	560-1056	3	560-1056	3	560-1056	3	560-1056	3	560-1056	3	560-1056	3
27.	"Shallow" Decal Insert Sheet	369-1216	1	369-1216	1	369-1216	1	369-1216	1	369-1216	1	369-1216	1	369-1216	1
28.	"Read Me First" Booklet	573-3169	1	573-3169	1	573-3169	1	573-3169	1	573-3169	1	573-3169	1	573-3169	1
****29.	E-Z Clip Installation Instructions	573-3039	1	573-3039	1	573-3039	1	573-3039	1	573-3039	1	573-3039	1	573-3039	1
	<b>SIDEWALL CARTON</b>														
30.	Sidewall - 48"	0-0807-012	1	0-0807-016	1	0-0807-018	1	0-0807-021	1	0-0807-024	1	0-0807-028	1	-----	—
30.	Sidewall - 52"	0-0452-012	1	0-0452-016	1	0-0452-018	1	0-0452-021	1	0-0452-024	1	0-0452-028	1	0-0452-032	2
31.	Joint Piece - 48"	580-1002	1	580-1002	1	580-1002	1	580-1002	1	580-1002	1	580-1002	1	-----	—
31.	Joint Piece - 52"	580-1914	1	580-1914	1	580-1914	1	580-1914	1	580-1914	1	580-1914	1	580-1914	2
32.	Large Cover Plate (not shown)	—	—	—	—	—	—	—	—	—	—	—	—	580-2139	1
33.	Small Cover Plate (not shown)	—	—	—	—	—	—	—	—	—	—	—	—	580-2140	1
34.	"Warning" Sign	560-1046	1	560-1046	1	560-1046	1	560-1046	1	560-1046	1	560-1046	1	560-1046	1
35.	"Read Me First" Booklet	573-3169	1	573-3169	1	573-3169	1	573-3169	1	573-3169	1	573-3169	1	573-3169	1
36.	Adhesive Squares	310-1034	6	310-1034	6	310-1034	6	310-1034	6	310-1034	6	310-1034	6	310-1034	6
37.	Safety Video	573-3498	1	573-3498	1	573-3498	1	573-3498	1	573-3498	1	573-3498	1	573-3498	1

\* For use with stretch-in liners only.  
 \*\* Screws, nuts and washers available at your local hardware store.  
 \*\*\* Write the number of your liner in the spaces provided here and above. # \_\_\_\_\_.  
 \*\*\*\* For Additional Patch Kits, order part number 0-5604-000.  
 \*\*\*\*\* Used only for pools with deep swimming areas.  
 \*\*\*\*\* For use with E-Z Clip liners only.

# EXPLODED VIEW



\*\*Vertical to be installed with center drilled hole at top.

\* Fencing strips required and supplied with optional fencing only.



**Important!** Above-ground pools are designed for swimming and wading only. **Do not Dive or Jump!** Misuse of your pool may result in crippling injury and/or other dangers to life and health. Do not use slides, diving boards, or any other platform or object which can be used for improper pool entry. Use only an above-ground swimming pool ladder or entry system to enter or exit your pool. **Never attempt to swim or reach behind ladders or any other pool entry system.** It is the pool owner's responsibility to secure the pool against unauthorized, unsupervised or unintentional entry. It is also the pool owner's responsibility to warn all pool users of the hazards of diving into shallow water: paralyzing injury may result. Always obey all safety rules. Remember, pool safety is everybody's responsibility.

**Safety decals and caution information provided with your pool have been endorsed by the U.S. Consumer Product Safety Commission. It is mandatory that the pool owner and installer follow the installation and use directions for all provided safety signs and decals. Juveniles must be supervised at all times by a responsible adult as directed by the USCPSC.**

**Change of Design:** Doughboy Recreational expressly reserves the right to change or modify the design and construction of any product in due course of their manufacturing procedures, without incurring any obligation to furnish or install such changes or modifications on products previously or subsequently sold.

**DOUGHBOY RECREATIONAL • 315 North Sebastian • West Helena, AR 72390**  
**Visit our website at [www.doughboypools.com](http://www.doughboypools.com)**